

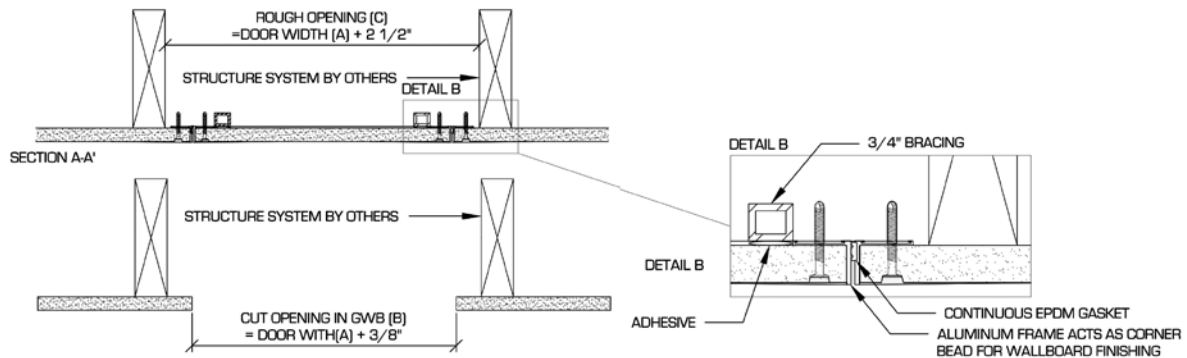
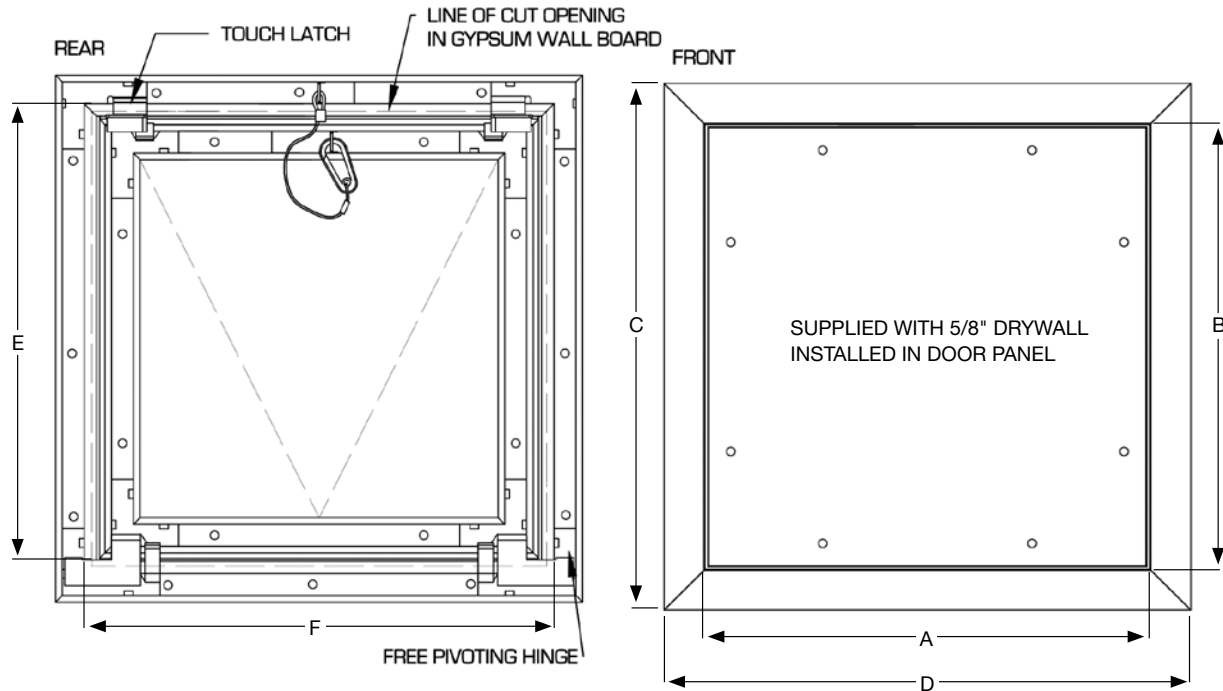
ACUDOR Products Inc.

(Address 1) 80 Little Falls Rd. Fairfield NJ 07004 USA
(Address 2) 4216 N. Pecos Rd, Ste. 104 Las Vegas, NV 89115
Tel: 800-722-0501 Fax: (973)575-5160
www.acudor.com email: info@acudor.com

Bauco Plus II

RECESSED FOR DRYWALL

QTY.	NOMINAL SIZE	A	B	C	D	E	F	LOCK
	8 x 8 (203 x 203)	8 (203)	8 (203)	10.25 (260)	10.25 (260)	8.75 (222)	8.75 (222)	2
	12 x 12 (305 x 305)	12 (305)	12 (305)	14.25 (362)	14.25 (362)	12.75 (375)	12.75 (375)	2
	16 x 16 (406 x 406)	16 (406)	16 (406)	18.25 (463)	18.25 (463)	16.75 (425)	16.75 (425)	2
	18 x 18 (457 x 457)	18 (457)	18 (457)	20.25 (514)	20.25 (514)	18.75 (476)	18.75 (476)	2
	24 x 24 (610 x 610)	24 (610)	24 (610)	26.25 (159)	26.25 (159)	24.75 (629)	24.75 (629)	2
	24 x 36 (610 x 914)	36 (914)	24 (610)	26.25 (159)	38.25 (971)	24.75 (629)	36.75 (933)	2



STANDARD FEATURES:

- STRONG CONCEALED ALUMINUM FRAME AND HARDWARE
- CONCEALED MECHANICAL TOUCH-LATCH
- LIFT-OUT DOORS WITH SAFETY CABLES
- MOISTURE RESISTANT GWB INLAY
- PERIMETER GASKET (AIR & SMOKE TIGHT)
- SOUND TRANSMISSION RESISTANCE;
SOUND TRANSMISSION ASTC VALUE OF 35

OPTIONS: LOCK TYPE

- SCREWDRIVER OPERATED CAM LATCH
- CYLINDER LOCK AND KEY

NOTE:

HINGE SHOULD BE ON THE BOTTOM WHEN INSTALLED IN A WALL

JOB NAME:
CUSTOMER:

APPROVED BY:
DATE: